



VINTAGE DECO LST21 - 8W DIM

8 watt Dimmable LED filament vintage deco lamp, B22 & E27 base

Application

Energy efficient LED lamp solution, ideal for restaurants and residential interiors

Design Specifications

- Glass diffuser for decorative applications
- High efficiency LED filament and colour rendering, CRI>80, choice of CCT 3000K or 5000K
- Integral dimmable LED driver, 240V
- 320° beam distribution
- Double insulation

Performance

Dimmable - **YES**
Dimmer Type - **Trailing edge**



-
-
-
-
-
-
-
-
- WARM WHITE 3000K**
- DAYLIGHT 5000K**

Technical Specification

Model No.	Input Voltage (V/AC)	Power (W)	Lumens (lm)	CCT (K)	CRI	Beam Angle (°)
LST21WW/B22D/C	240	8	1050	3000	80	320
LST21WW/E27D/C	240	8	1050	3000	80	320
LST21NDL/B22D/C	240	8	1050	5000	80	320
LST21NDL/E27D/C	240	8	1050	5000	80	320

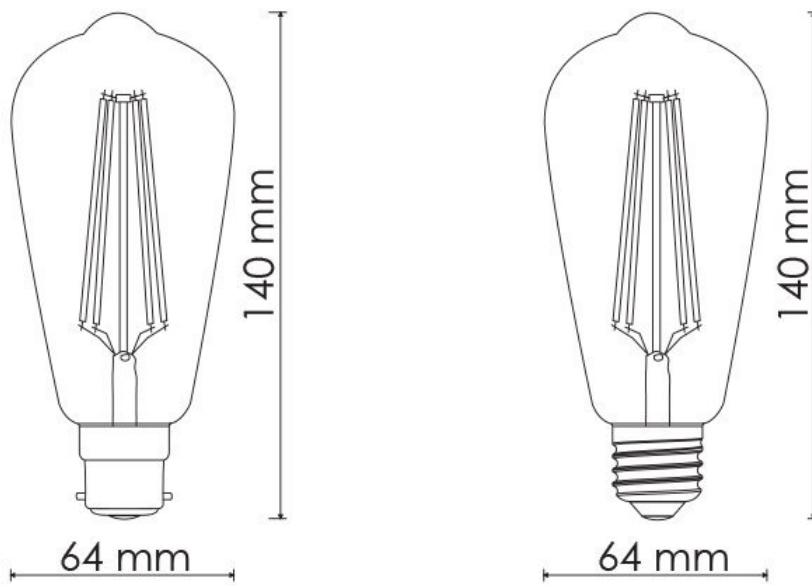


Technical Specification

Model No.	Dimmable	Diameter (mm)	Length (mm)	Base Type
LST21WW/B22D/C	YES	64	140	B22
LST21WW/E27D/C	YES	64	140	E27
LST21NDL/B22D/C	YES	64	140	B22
LST21NDL/E27D/C	YES	64	140	E27

Due to continued product and technology enhancements, data sourced from sal.net.au shall not form part of any contract and or technical performance guarantee unless expressly confirmed in writing by SAL at the time of order. Products are sold in accordance with [SAL Terms and Conditions of sale](#) and all images shown are for illustration purposes only and may vary from the actual colour or finish. Unless specifically stated, all IP ratings nominated for Interior products are from "below the ceiling".

Dimensions





Product Images

