



SECONDARY DIGITAL DIMMER SDD300US

SECONDARY- universal digital dimmer

Application

Smart lighting controls for residential and commercial applications

Design Specifications

- Push button control trailing or leading edge digital dimming via the MASTER connection
- Multiple-location dimming by connecting SDD350UM with any number of secondary dimmers SDD300US can be achieved. NOTE: the total length of the remote wire (>0.5mm²) used to interconnect all of the SDD300US should not exceed 50 metres.
- Fits most popular switch plates
- Overheating and over current protection, full short circuit protection
- Programmable minimum brightness level
- Compliant to AS/NZS60669.2.1



Performance

Dimmable - **YES**

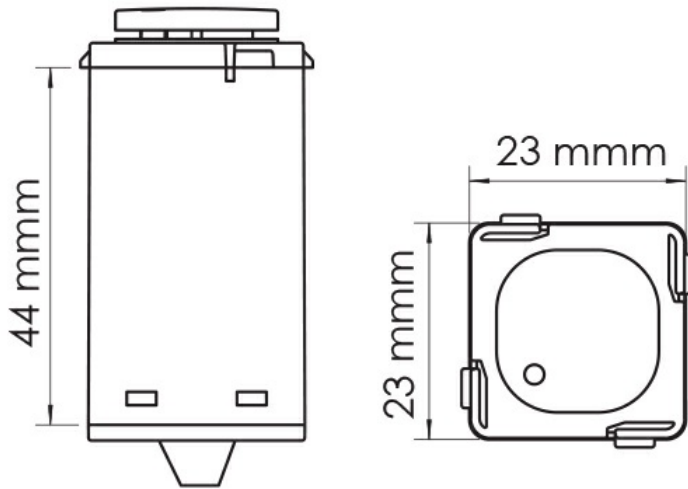
Dimmer Type - **Secondary switch dimming by SDD350UM**

Technical Specification

| Model No. | Description | Input Voltage (V/AC) | Dim (mm) | Body Colour |
|-----------|-------------------------------------|----------------------|-----------------------|-------------|
| SDD300US | DIGITAL DIMMER 300W TE/LE SECONDARY | 240 | 44(L) x 23(W) x 23(H) | WHITE |

Due to continued product and technology enhancements, data sourced from sal.net.au shall not form part of any contract and or technical performance guarantee unless expressly confirmed in writing by SAL at the time of order. Products are sold in accordance with [SAL Terms and Conditions of sale](#) and all images shown are for illustration purposes only and may vary from the actual colour or finish. Unless specifically stated, all IP ratings nominated for Interior products are from "below the ceiling".

Dimensions



Wiring Diagram

