



PREMIER S9073TC / DP - 13/18W

Dimmable IP64 , 18W LED downlight with selectable colour temperature and power

Application

Ideal for any commercial interior space looking for an economical lighting choice

Design Specifications

- Premium aluminium body profile, CA90 rated
- Stylish white powder coat finish
- Quality opal polycarbonate diffuser
- High efficiency SMD LED chips
- Remote constant current trailing edge dimmable LED driver, with flex and plug

Performance

Dimmable - **YES**

Dimmer Type - **Trailing edge, optional 1-10V, DALI, DSI**



Technical Specification

Model No.	Description	Input Voltage (V/AC)	Power (W)	Multiple Wattage	Lumens (lm)	CCT (K)
S9073TC/SL	LED D/L 18W IP64 3/4/6K DIM SL	240	18		1400/1550/1550	3000/4000/5700
S9073TC/WH/DP	LED D/L 13/18W IP64 3/4/6K DIM WH DP	240		13/18	1500/1800/1600	3000/4000/5700

Technical Specification

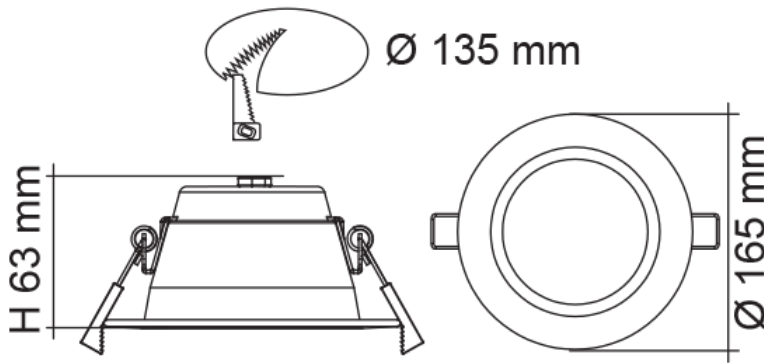
Model No.	Beam Angle (°)	Dimmable	CRI	Body Colour	Dim (mm)
S9073TC/SL	90	YES	80	SILVER	165(W) x 63(H)
S9073TC/WH/DP	90		80	WHITE	165(W) x 63(H)

Note: Lumens (lm) shown are displayed at FULL power

Due to continued product and technology enhancements, data sourced from sal.net.au shall not form part of any contract and or technical performance guarantee unless expressly confirmed in writing by SAL at the time of order. Products are sold in accordance with [SAL Terms and Conditions of sale](#) and all images shown are for illustration purposes only and may vary from the actual colour or finish. Unless specifically stated, all IP ratings nominated for Interior products are from "below the ceiling".

Dimensions

S9073TC

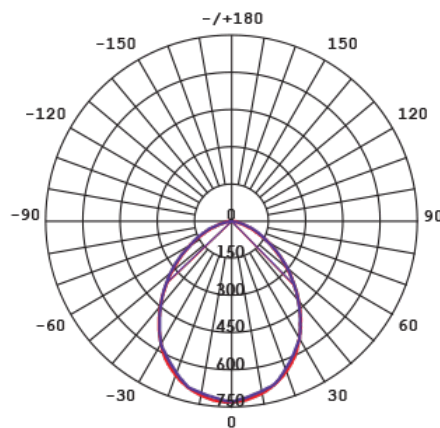


Photometric Data

Photometric Data

Unit: cd C0/C180 _____ C90/C270 _____

S9073TC 4000K





Product Images

