



## OPAL SPHERICAL LG95 DIM - 10W

10 watt dimmable LED SMD opal spherical lamp

### Application

Energy efficient LED lamp solutions

### Design Specifications

- Opal polycarbonate diffuser
- Poly covered aluminium body, B22 or E27 lamp bases
- High efficiency SMD LED chips, beam 240 degree
- Integral trailing edge dimmable LED driver
- Colour temperature 3000K / 6000K, CRI >80
- 1:1 size to traditional spherical lamp, dimmable, suits most spherical lamp fittings, double insulation

### Performance

Dimmable - **YES**

Dimmer Type - **Trailing edge**



- 
- 
- 
- 
- 
- 
- 
- 
- 
- 

### Technical Specification

Model No.	Input Voltage (V/AC)	Power (W)	Lumens (lm)	CCT (K)	CRI	Beam Angle (°)
LG95/830B22	240	10	900	3000	80	240
LG95/860B22	240	10	950	6000	80	240
LG95/830E27	240	10	900	3000	80	240
LG95/860E27	240	10	950	6000	80	240

### Technical Specification

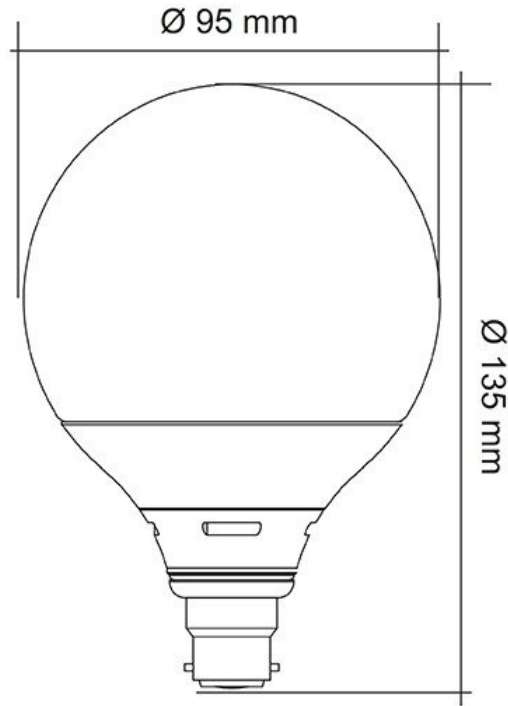
Model No.	Dimmable	Diameter (mm)	Length (mm)	Base Type
LG95/830B22	YES	95	135	B22
LG95/860B22	YES	95	135	B22
LG95/830E27	YES	95	135	E27
LG95/860E27	YES	95	135	E27

Due to continued product and technology enhancements, data sourced from sal.net.au shall not form part of any contract and or technical performance guarantee unless expressly confirmed in writing by SAL at the time of order. Products are sold in accordance with [SAL Terms and Conditions of sale](#) and all images shown are for illustration purposes only and may vary from the actual colour or finish. Unless specifically stated, all IP ratings nominated for Interior products are from "below the ceiling".

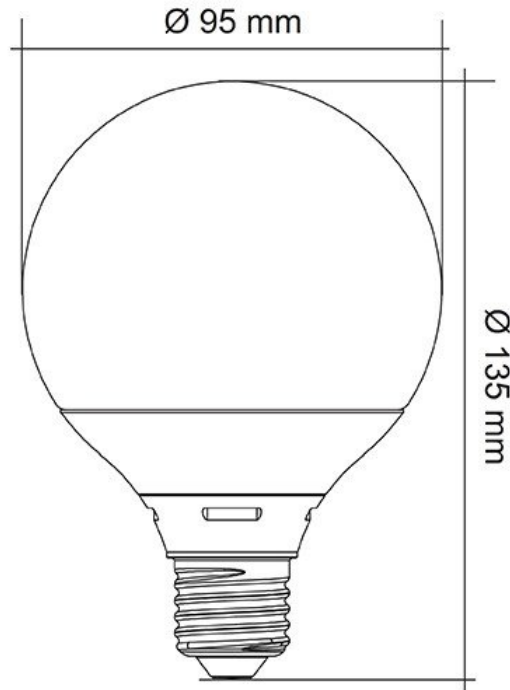
### Dimensions



LG95 B22



LG95 E27



## Product Images

