



DIM 2IN1 12/24V

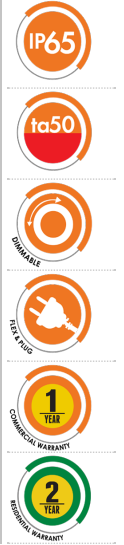
IP65 Dimmable 12 / 24 volt constant voltage LED drivers.

Application

Reliable constant voltage control for use with LED strip and constant voltage circuits

Design Specifications

- Trailing edge and 1-10V dimming combined
- Independent compact design, safe no load operation and overload, short circuit protection
- Overheating protection
- SELV and EMC compliant, 1.2m flex and plug fitted for easy installation
- Recommended SAL 1-10V controller; SDF30. Recommended SAL trailing edge dimmers; SDD350UM, SDD400U, SDA450U, SDD350BT
- Minimum load - DIM 2IN1 96/12/24V = 10W
DIM 2IN1 192/12/24V = 20W



Performance

Dimmable - **YES**

Dimmer Type - **Trailing edge, 1-10V**

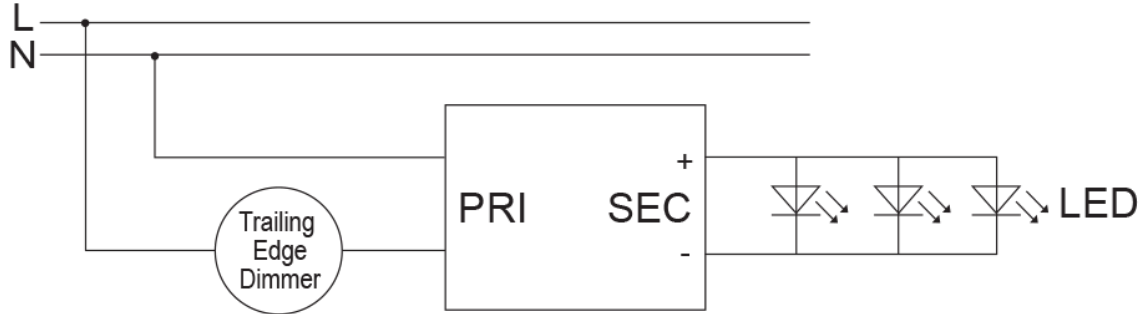
Technical Specification

Model No.	Description	Input Voltage (V/AC)	Output Voltage (V/DC)	Power (W)	Power Factor	Dim (mm)
DIM2IN1/96/12V	DIM2IN1 LED DRIVER C/V 96W 12V	240	12	96	0.9	222(L) x 73(W) x 38(H)
DIM2IN1/96/24V	DIM2IN1 LED DRIVER C/V 96W 24V	240	24	96	0.9	222(L) x 73(W) x 38(H)
DIM2IN1/192/12V	DIM2IN1 LED DRIVER C/V 192W 12V	240	12	192	0.9	226(L) x 96(W) x 39(H)
DIM2IN1/192/24V	DIM2IN1 LED DRIVER C/V 192W 24V	240	24	192	0.9	226(L) x 96(W) x 39(H)

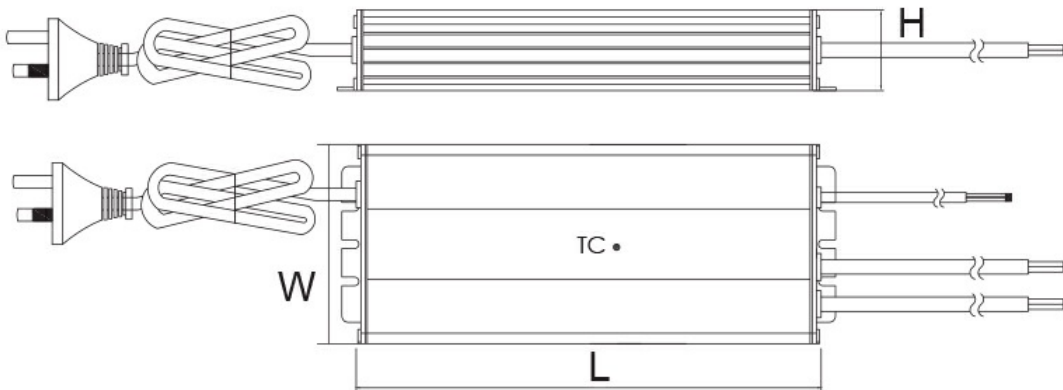
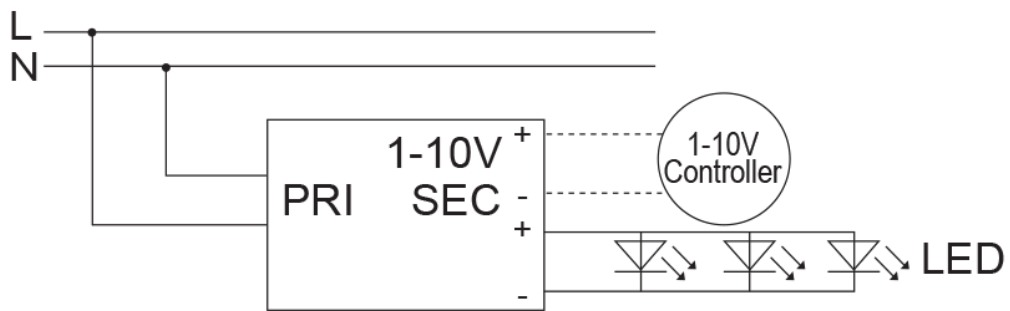
Due to continued product and technology enhancements, data sourced from sal.net.au shall not form part of any contract and or technical performance guarantee unless expressly confirmed in writing by SAL at the time of order. Products are sold in accordance with [SAL Terms and Conditions of sale](#) and all images shown are for illustration purposes only and may vary from the actual colour or finish. Unless specifically stated, all IP ratings nominated for Interior products are from "below the ceiling".

Dimensions

Trailing Edge option



1-10V dimming option





Product Images

