



## CANDLE CLEAR DIM LCA - 4W

4 watt dimmable LED filament candle style clear lamps

### Application

Energy efficient LED lamp solutions

### Design Specifications

- Clear glass diffuser, SES, SBC, ES or BC base
- High efficiency LED filament
- Integral trailing edge dimmable LED driver
- 320° beam angle
- Colour temperature 2700K / 5000K, CRI > 80
- 1:1 size to traditional candle lamp, dimmable, suits most candle lamp fittings, double insulation

### Performance

Dimmable - **YES**

Dimmer Type - **Trailing edge**



### Technical Specification

Model No.	Input Voltage (V/AC)	Power (W)	Lumens (lm)	CCT (K)	CRI	Beam Angle (°)
LCA27B15D/C	240	4	450	2700	80	320
LCA27B22D/C	240	4	450	2700	80	320
LCA27E14D/C	240	4	450	2700	80	320
LCA27E27D/C	240	4	450	2700	80	320
LCA50B15D/C	240	4	450	5000	80	320
LCA50B22D/C	240	4	450	5000	80	320
LCA50E14D/C	240	4	450	5000	80	320
LCA50E27D/C	240	4	450	5000	80	320

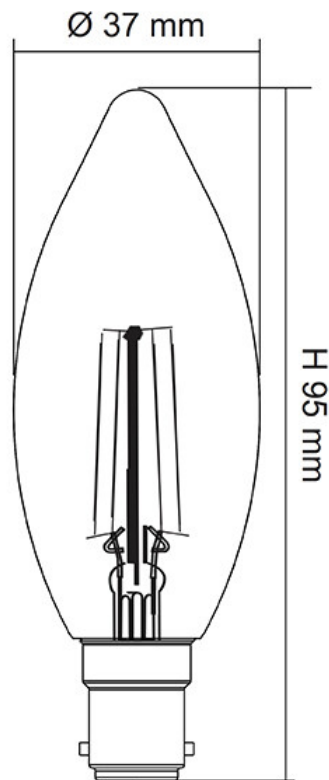
## Technical Specification

Model No.	Dimmable	Diameter (mm)	Length (mm)	Base Type
LCA27B15D/C	YES	37	95	B15
LCA27B22D/C	YES	37	91	B22
LCA27E14D/C	YES	37	97	E14
LCA27E27D/C	YES	37	92	E27
LCA50B15D/C	YES	37	95	B15
LCA50B22D/C	YES	37	91	B22
LCA50E14D/C	YES	37	97	E14
LCA50E27D/C	YES	37	92	E27

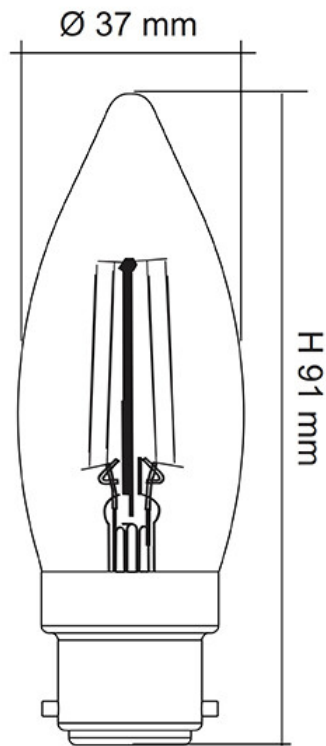
Due to continued product and technology enhancements, data sourced from sal.net.au shall not form part of any contract and or technical performance guarantee unless expressly confirmed in writing by SAL at the time of order. Products are sold in accordance with [SAL Terms and Conditions of sale](#) and all images shown are for illustration purposes only and may vary from the actual colour or finish. Unless specifically stated, all IP ratings nominated for Interior products are from "below the ceiling".

## Dimensions

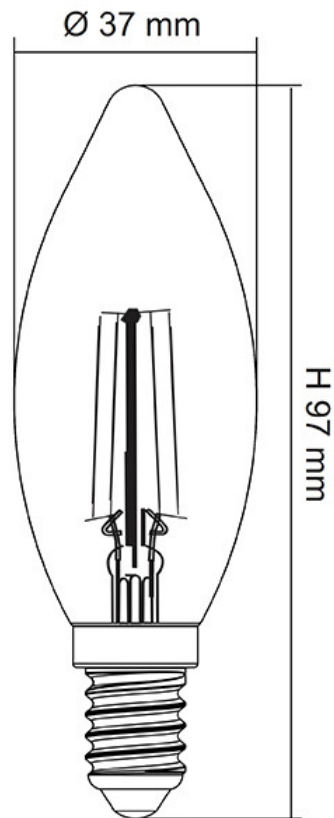
LCA B15



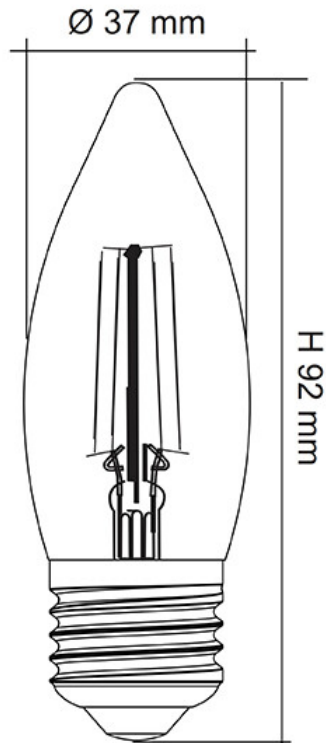
LCA B22



LCA E14



LCA E27



## Product Images

