



## BRONX SE7089 - 55W

IP65 LED wall mount luminaire, IK10 rated

### Application

A robust solution for commercial exterior spaces and security

### Design Specifications

- Die-cast aluminium body
- Durable black powder coated finish
- UV stabilised opal polycarbonate diffuser
- High efficiency SMD LED chips
- Integral constant current non-dimmable LED driver, pre-wired with 450mm of 3 x core rubber flex

### Performance



In Built Sensor - **OPTIONAL**

Sensor Type - **MICROWAVE**

### Technical Specification

Model No.	Description	Input Voltage (V/AC)	Power (W)	Lumens (lm)	CCT (K)	CRI
SE7089BK	LED BUNKER 55W IP65 5K BLACK	240	55	4500	5000	70

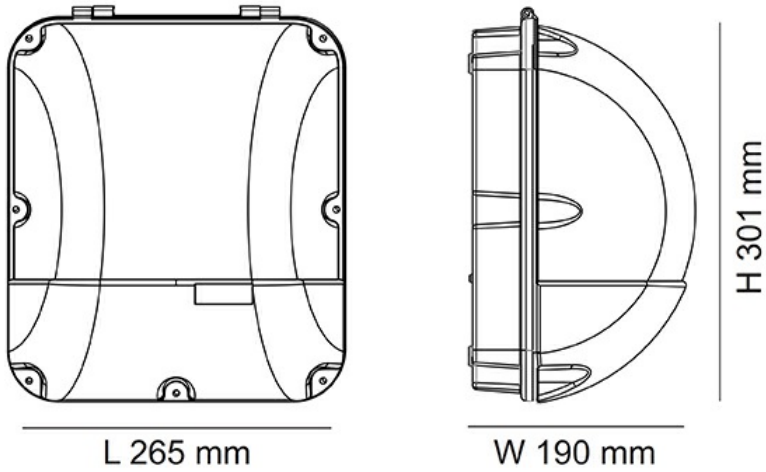
### Technical Specification

Model No.	Body Colour	Dim (mm)
SE7089BK	BLACK	265(L) x 190(W) x 301(H)

Due to continued product and technology enhancements, data sourced from sal.net.au shall not form part of any contract and or technical performance guarantee unless expressly confirmed in writing by SAL at the time of order. Products are sold in accordance with [SAL Terms and Conditions of sale](#) and all images shown are for illustration purposes only and may vary from the actual colour or finish. Unless specifically stated, all IP ratings nominated for Interior products are from "below the ceiling".

## Dimensions

SE7089





## Photometric Data

Unit: cd C0/C180 \_\_\_\_\_ C90/C270 \_\_\_\_\_

### SE7089BK at 5000K

