



BENNY SL2106TC - 10/24W

IP65 LED Oyster with selectable colour temperature 3000K, 4000K, 6000K

Application

A perfect choice for apartments or commercial spaces

Design Specifications

- Easy selectable colour temperature with the integral DIP switch
- Durable polycarbonate body profile with opal polycarbonate diffuser, colour white
- Rugged IK08 construction
- High efficiency SMD LED chips, CRI > 80
- Integral sensor models available
- Double insulation

Performance

In Built Sensor - **OPTIONAL**
Sensor Type - **MICROWAVE**



Technical Specification

Model No.	Input Voltage (V/AC)	Power (W)	Lumens (lm)	CCT (K)	CRI	Body Colour
SL2106/20TC	240	10	800	3000/4000/6000	80	WHITE
SL2106/30TC	240	20	1600	3000/4000/6000	80	WHITE
SL2106/40TC	240	24	2000	3000/4000/6000	80	WHITE

Technical Specification

Model No.	Dim (mm)	Diameter (mm)
SL2106/20TC	220(W) x 65(H)	220
SL2106/30TC	280(W) x 71(H)	280
SL2106/40TC	350(W) x 81(H)	350

Due to continued product and technology enhancements, data sourced from sal.net.au shall not form part of any contract and or technical performance guarantee unless expressly confirmed in writing by SAL at the time of order. Products are sold in accordance with [SAL Terms and Conditions of sale](#) and all images shown are for illustration purposes only and may vary from the actual colour or finish. Unless specifically stated, all IP ratings nominated for Interior products are from "below the ceiling".



Dimensions

Technical Specifications

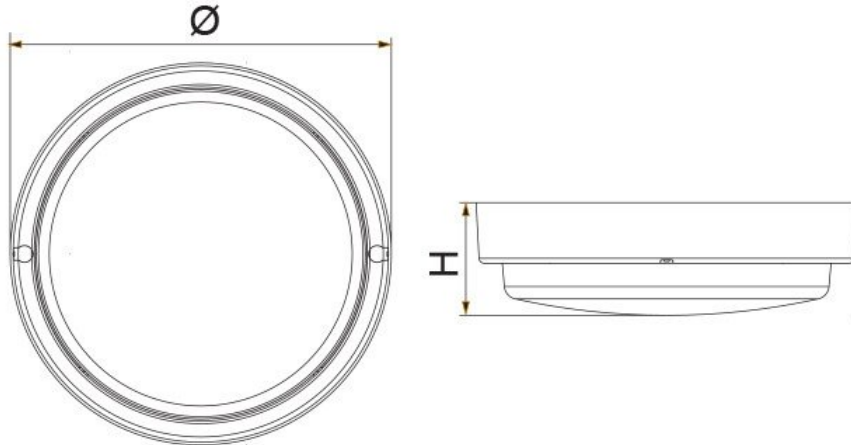
Integrated microwave motion sensor

Model No.	Detection Range	Daylight Threshold	Duration (mins.)
SL2106/30TC/S	100%	Disabled	10
SL2106/30TC/S1	100%	50 Lux	10
SL2106/30TC/S2	50%	50 Lux	5



Integrated microwave motion sensor with standBY function

Model No.	Detection Range	Daylight Threshold	Duration (mins.)	Standby Level	Standby Period
SL2106/40TC/C	100%	Disabled	12	20%	30 mins.
SL2106/40TC/C1	100%	50 Lux	6	30%	30 mins.
SL2106/40TC/C2	100%	50 Lux	6	20%	24 hrs.

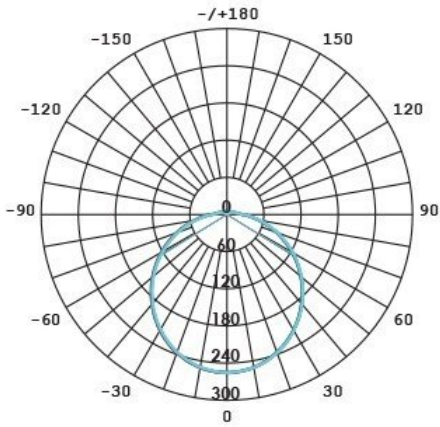




Photometric Data

Unit: cd C0/C180 _____ C90/C270 _____

SL2106/20TC at 3000K



SL2106/40TC at 6000K

