



FX/TM3 Electronic thermostats with double digital display

Characteristics

- Current rating 8 A (resistive) by changeover contact.
- Power supply from 100 to 240 V ~ -50/60 Hz.
- Accuracy +/-0.5% of temperature range.
- Dimensions 70 x 85 x 61 mm – 4 Din modules.
- Double temperature display (value and setup) at +/- 1°C.
- Adjustable differential from 1 to 30°C.
- Thermostat is fitted to a DIN rail (Omega 3).
- The sensor can be extended and positioned 50 m away from the thermostat (cable not included).
- Alarm up and down via free contact, current rating 8 A (resistive).
- Screw terminals for conductors up to 2.5mm².
- Exposure temperature from -5 to +55°C.

Thermostat FX/TM3/140

- Temperature range : from - 5°C to + 140°C.
- PTC sensor.
- Sensor length: 3 m

Thermostat FX/TM3/220 (upon request)

- Temperature range : from - 5°C to + 220°C.
- PT 100 sensor.
- Sensor length: 3 m



Applications

The range of the FX / TM3 electronic thermostats allows precise control of temperatures.

To maintain a desired temperature of the pipes, tanks, or other containers and their contents, a control device is necessary, providing the following advantages:

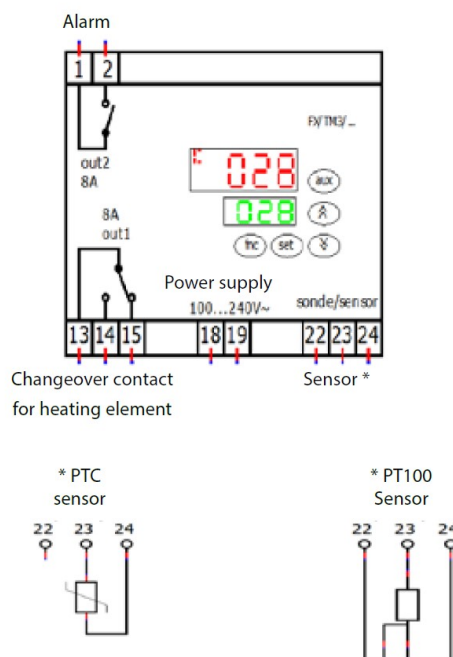
- the heating element is energized only when necessary.
- the life of the heating element is increased.
- The heating element does not overheat.
- the energy consumed is reduced to a minimum.

Thermostat FX/TM3 is fitted to a DIN rail (Omega 3) in an electrical cabinet or waterproof electrical junction box.

Use

Consult the pages of the catalogue devoted to the corresponding general operating principles, general instructions for use and accessories.

Electrical connection diagram



Hamer Code	Description
JH851	Flexelec FX/TM3/140 Electronic thermostat -5 to +120°C Din Rail Mount 3m PTC Sensor