

theRonda P360-101 M UP WH

Item no.: 2080025

Presence and motion detectors Indoor detectors

Description

- Passive infra-red presence detector for flush-mounted ceiling installation
- Circular detection area 360°, up to Ø 24 m (452 m²) at mounting height 3 m
- 1 channel light (Relay, 230 V) and 1 channel presence (Relay, floating for HVAC control)
- Automatic presence- and brightness-dependent control for lighting and HVAC
- Mixed light measurement suitable for fluorescent lamps (FL/PL/ESL), halogen/incandescent lamps and LEDs
- Choice of fully or semi-automatic operation
- Adjustable brightness switching value, teach-in function
- Reduction of switch-off delay time in the event of short presence (brief-presence)
- Connection option for sensors or switches for manual switching with automatic recognition of sensor/switch
- Pulse function for staircase light time switch
- Channel H, presence: relay, floating
- e.g. for HVAC control
- Switch-on delay and switch-off delay configurable
- Sensitivity adjustable
- Detection area can be limited using cover clip
- Ready for immediate use due to factory preset
- Test mode for checking function and detection area
- Extension of detection area via Master/Slave or Master/Master switching, a maximum of 10 detectors can be switched in parallel with each other
- Ceiling installation in flush-mounted socket
- Ceiling installation also possible with surface-mounted frame
- User remote control theSenda S, management remote control SendaPro (optional)



Subject to technical changes and misprints

additional information at: www.theben.de/product/2080025

The load data are determined with exemplary selected illuminants and are therefore typical data due to the large number of available products.

theRonda P360-101 M UP WH

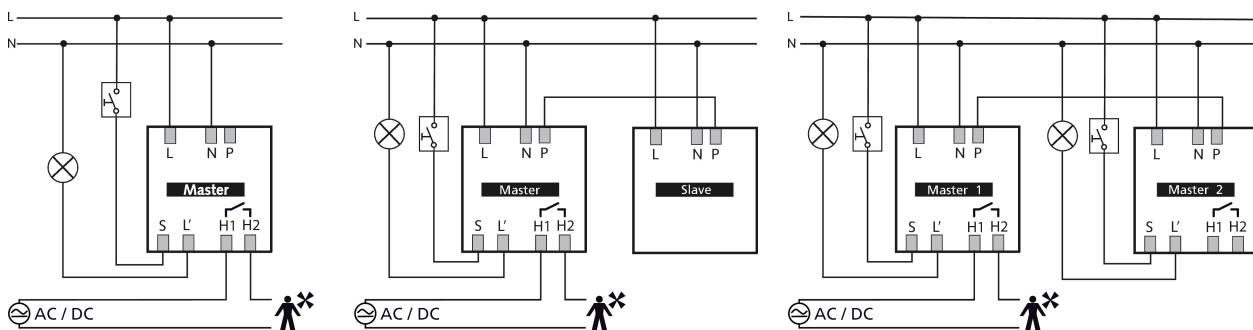
Item no.: 2080025

Technical data

theRonda P360-101 M UP WH	
Operating voltage	110 – 230 V AC
Frequency	50 – 60 Hz
Installation height	2 – 10 m
Maximum height	15 m
Minimum height	> 1,7 m
Installation type	Ceiling installation
Colour	White
Switching output	Light Presence
Stand-by consumption	~0.15 W
Light measurement	Mixed light measurement
Setting range brightness	30 – 3000 lx
Light switch-off delay	10 s - 60 min
Lamps	Incandescent/halogen lamps, fluorescent lamps, Energy saving lamps, LEDs
Incandescent/halogen lamp load	2300 W

theRonda P360-101 M UP WH	
Compact and fluorescent lamps	1150 VA (cos φ = 0,5)
Inrush current	max. 800 A / 200 μs
LED lamp < 2 W	60 W
LED lamp 2-8 W	600 W
LED lamp > 8 W	600 W
Switch-on delay presence	0 s – 10 min / Room surveillance
Presence switch-off delay	10 s - 120 min
Switching capacity presence	50 W/50 VA
Type of connection	Screw terminals
Max. cable cross section	max. 2 x 2,5 mm ²
Size of concealed housing	Ø 55 mm (NIS, PMI)
Detection range	452 m ² (Ø 24 m 360°)
Ambient temperature	-15°C ... 50°C
Type of protection	IP 54 (when fitted)

Connection example



Detection range for planning applications

Mounting height (A)	Sitting (S)	Diagonally (T)
2 m	16 m ² 4.5 m	380 m ² 22 m
2.5 m	24 m ² 5.5 m	415 m ² 23 m
3 m	28 m ² 6 m	452 m ² 24 m
3.5 m	38 m ² 7 m	452 m ² 24 m
6 m		452 m ² 24 m
10 m		491 m ² 25 m

Subject to technical changes and misprints

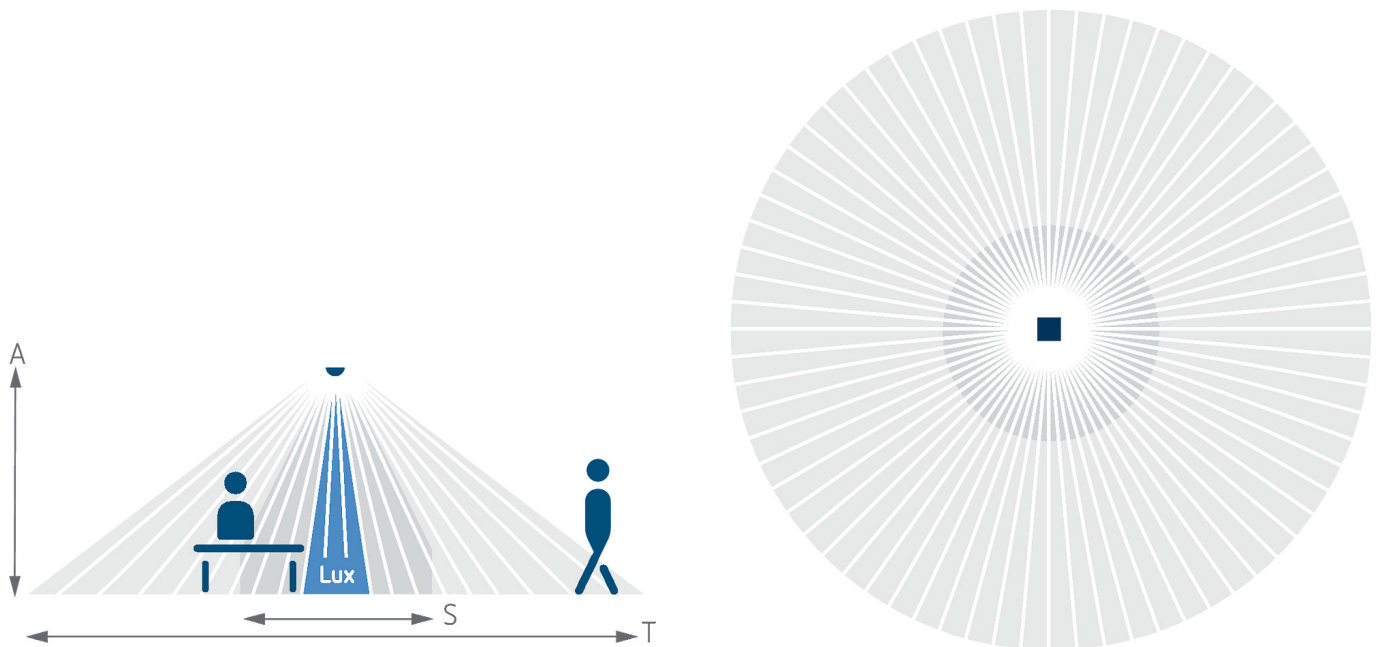
additional information at: www.theben.de/product/2080025

The load data are determined with exemplary selected illuminants and are therefore typical data due to the large number of available products.

theRonda P360-101 M UP WH

Item no.: 2080025

Detection range for planning applications



Detection range according to Sensnorm IEC 63180

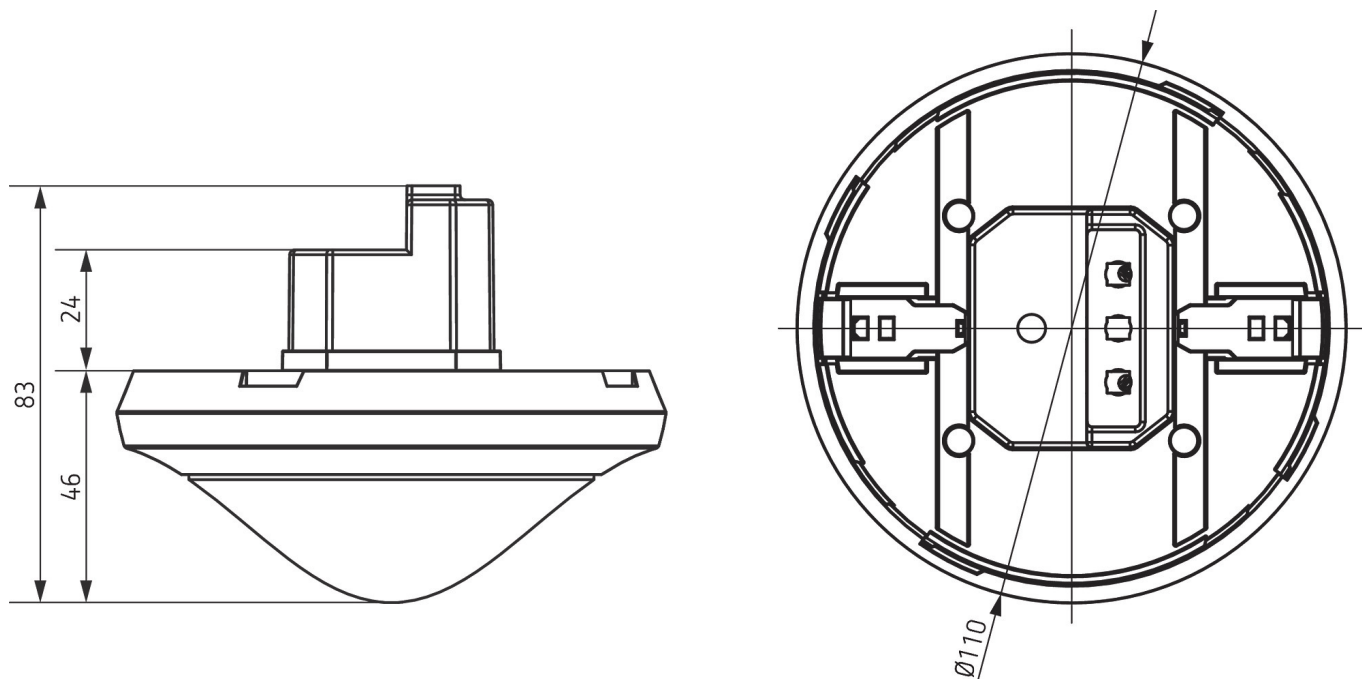
Mounting height (A)	Diagonally (T)	Head on to (R)	Sitting (S)
2.5 m	434 m ² 23.5 m	55 m ² 8.4 m	50 m ² 8 m
10 m	707 m ² 30 m	79 m ² 10 m	
15 m	616 m ² 28 m	141 m ² 13.4 m	

theRonda P360-101 M UP WH

Item no.: 2080025

theben
energy saving comfort

Scale drawings



Accessories

theSenda P
Item no.: 9070910

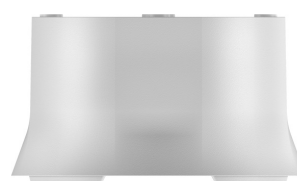


theSenda S
Item no.: 9070911



Ceiling installation box 73A
Item no.: 9070917

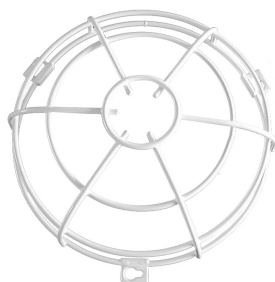
Surface frame 110A WH
Item no.: 9070912



Masking clip
Item no.: 9070921



QuickSafe
Item no.: 9070531



theSenda B
Item no.: 9070985



Cover 110 GR
Item no.: 9070591



Subject to technical changes and misprints

additional information at: www.theben.de/product/2080025

The load data are determined with exemplary selected illuminants and are therefore typical data due to the large number of available products.

08/11/2020

Page 4 of 5

theRonda P360-101 M UP WH

Item no.: 2080025

Accessories

Ceiling installation box 68A

Item no.: 9070992

