

Datasheet - RST 36-1

Safety sensors / RSS 36 / Actuator RST 36



- Actuation from side
- Simple flexible mounting and adjustment

(Minor differences between the printed image and the original product may exist!)

Ordering details

Product type description	RST 36-1
Article number	101213820
EAN code	
notice	Sensor and actuator must be ordered separately.
eCl@ss	27-27-92-17

Approval

Approval



Global Properties

Product name	Betätiger
Materials	
- Material of the actuator	Plastic
Weight	

Mechanical data

Active area	lateral
with latching magnet (Y/N)	No

Dimensions

Dimensions of the actuators	
- Width of the actuator	91 mm
- Height of the actuator	25 mm
- Length of the actuator	22 mm

Documents

Operating instructions and Declaration of conformity (pl) 466 kB, 01.09.2015

Code: mrl_rss36_pl

Operating instructions and Declaration of conformity (fr) 447 kB, 10.09.2015

Code: mrl_rss36_fr

Operating instructions and Declaration of conformity (jp) 592 kB, 26.06.2014

Code: mrl_rss36_jp

Operating instructions and Declaration of conformity (de) 453 kB, 15.07.2015

Code: mrl_rss36_de

Operating instructions and Declaration of conformity (pt) 436 kB, 08.04.2014

Code: mrl_rss36_pt

Operating instructions and Declaration of conformity (cn) 610 kB, 30.04.2015

Code: mrl_rss36_cn

Operating instructions and Declaration of conformity (sv) 426 kB, 02.03.2015

Code: mrl_rss36_sv

Operating instructions and Declaration of conformity (it) 447 kB, 28.08.2015

Code: mrl_rss36_it

Operating instructions and Declaration of conformity (es) 521 kB, 18.11.2015

Code: mrl_rss36_es

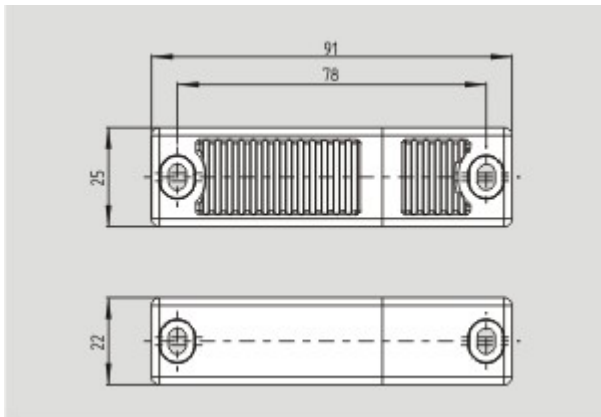
Operating instructions and Declaration of conformity (nl) 462 kB, 08.11.2012

Code: mrl_rss36_nl

Operating instructions and Declaration of conformity (en) 445 kB, 15.07.2015

Code: mrl_rss36_en

Images



Dimensional drawing (basic component)

K.A. Schmersal GmbH & Co. KG, Möddinghofe 30, D-42279 Wuppertal

The data and values have been checked thoroughly. Technical modifications and errors excepted.

Generiert am 29.01.2016 - 05:00:22h Kasbase 3.2.1.F.64l