

## Datasheet - BNS 260-02Z-ST-L

Safety sensors / BNS 260



Preferred typ



- Thermoplastic enclosure
- Small body
- Concealed mounting possible
- 26 mm x 36 mm x 13 mm
- Long life
- no mechanical wear
- Insensitive to transverse misalignment
- Insensitive to soiling
- Connector M8 x 1, 4-pole

(Minor differences between the printed image and the original product may exist!)

### Ordering details

Product type description	BNS 260-02Z-ST-L
Article number	101184377
EAN code	4030661321752
eCl@ss	27-27-24-02

### Approval

Approval




### Classification

Standards	EN ISO 13849-1
B <sub>10d</sub> Opener (NC)	25.000.000
- notice	at max. 20% contact load
Mission time	20 Years
notice	$MTTF_d = \frac{B_{10d}}{0,1 \times n_{op}}$ $n_{op} = \frac{d_{op} \times h_{op} \times 3600 \text{ s/h}}{t_{cycle}}$

### Global Properties

Product name	BNS 260
Standards	IEC 60947-5-3, BG-GS-ET-14

Compliance with the Directives (Y/N) 

Yes

Materials

- Material of the housings

Plastic, glass-fibre reinforced thermoplastic

Weight

20 g

Coding available (Y/N)

Yes

Monitoring function of downstream devices (Y/N)

No

Prerequisite evaluation unit

Recommended safety-monitoring module

Recommended actuator

BPS 260

## Mechanical data

---

Design of electrical connection

Connector M8

mechanical installation conditions

quasi-flush

Active area

Ensured switch distance ON  $S_{ao}$

5 mm

Ensured switch distance OFF  $S_{ar}$

15 mm

notice

### Axial misalignment

The safety sensor and the actuator tolerate a horizontal and vertical misalignment to each other. The possible misalignment depends on the distance of the active surfaces of the sensor and the actuator. The sensor is active in the tolerance range.

Type of actuation

Magnet

Direction of motion

head-on with regard to the active surface

restistance to shock

30 g / 11 ms

Resistance to vibration

10 ... 55 Hz, Amplitude 1 mm

Door hinge

left

## Ambient conditions

---

Ambient temperature

- Min. environmental temperature

-25 °C

- Max. environmental temperature

+70 °C

Storage and transport temperature

- Min. Storage and transport temperature

-25 °C

- Max. Storage and transport temperature

+70 °C

Protection class

IP67

## Electrical data

---

Integrated Safety monitoring module available (Y/N)

No

Cross circuit/short circuit recognition possible (Y/N)

Yes

Voltage type

VDC

Switch frequency

max. 5 Hz

Switching voltage

max. 75 VDC

Switching current

max. 400 mA

Switching capacity

max. 10 VA

## Outputs

---

Design of control output

Number of shutters

0 piece

Number of openers

2 piece

Design of output signal switching device

## Electrical data - Safety outputs

---

Number of secure semi-conductor outputs	0 piece
Number of secure outputs with contact	2 piece

## Electrical data - Diagnostic output

---

Number of semi-conductor outputs with signaling function	0 piece
Number of outputs with signaling function that already have a contact	0 piece

## LED switching conditions display

---

LED switching conditions display (Y/N)	No
--	----

## ATEX

---

Explosion protection categories for gases	None
Explosion protected category for dusts	None

## Dimensions

---

Dimensions of the sensor	
- Width of sensor	26 mm
- Height of sensor	36 mm
- Length of sensor	13 mm

## notice

---

Contact symbols shown for the closed condition of the guard device.  
The contact configuration for versions with or without LED is identical.  
The number in brackets indicate the PIN number of the connector.  
Contact S21-S22 und S11-S12 must be integrated in the safety circuit

## Included in delivery

---

Actuators must be ordered separately.

## Indication legend

---

### Switch on/off diagram


The actuating graph also applies to the BPS 260-2, the actuator with 90° inverted actuation.


## Diagram


---

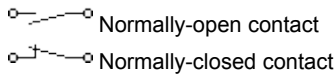


Note Diagram

 positive break NC contact

 active

 no active



## Ordering code

---

BNS 260-(1)(2)Z(3)-(4)-(5)

(1)	
11	1 Normally open contact (NO) / 1 Opener (NC)
02	2 Opener (NC)
(2)	
<i>without</i>	without Diagnostic output
I01	1 Opener (NC)
(3)	
<i>without</i>	without LED switching conditions display
G	with LED switching conditions display
(4)	
<i>without</i>	Pre-wired cable
ST	with connector
(5)	
L	Door hinge on left-hand side
R	Door hinge on right-hand side

## Documents

---

**Operating instructions and Declaration of conformity** (pt) 289 kB, 01.09.2015

Code: mrl\_bns260\_pt

**Operating instructions and Declaration of conformity** (cs) 323 kB, 04.06.2012

Code: mrl\_bns260\_cs

**Operating instructions and Declaration of conformity** (fr) 269 kB, 19.04.2013

Code: mrl\_bns260\_fr

**Operating instructions and Declaration of conformity** (de) 299 kB, 01.12.2015

Code: mrl\_bns260\_de

**Operating instructions and Declaration of conformity** (it) 264 kB, 18.03.2013

Code: mrl\_bns260\_it

**Operating instructions and Declaration of conformity** (nl) 269 kB, 05.04.2013

Code: mrl\_bns260\_nl

**Operating instructions and Declaration of conformity** (pl) 324 kB, 29.01.2015

Code: mrl\_bns260\_pl

**Operating instructions and Declaration of conformity** (sv) 283 kB, 17.06.2015

Code: mrl\_bns260\_sv

**Operating instructions and Declaration of conformity** (jp) 389 kB, 24.06.2014

Code: mrl\_bns260\_jp

**Operating instructions and Declaration of conformity** (en) 295 kB, 01.12.2015

Code: mrl\_bns260\_en

Operating instructions and Declaration of conformity (es) 320 kB, 13.09.2011

Code: mrl\_bns260\_es

Operating instructions and Declaration of conformity (da) 286 kB, 24.09.2015

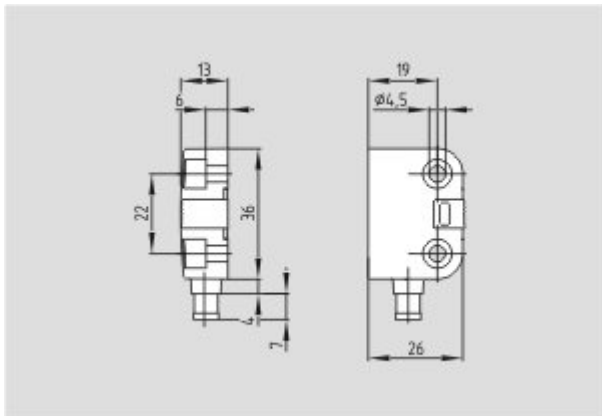
Code: mrl\_bns260\_da

EAC certification (ru) 782 kB, 05.10.2015

Code: q\_6044p17\_ru

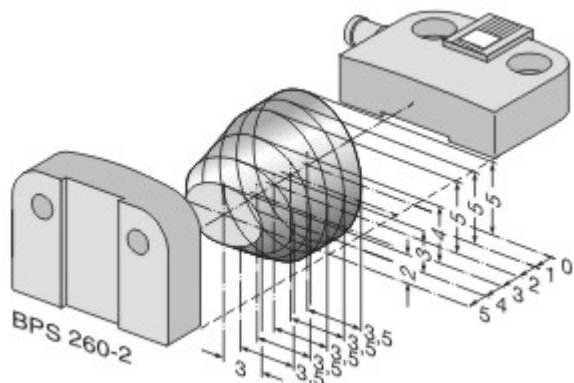
## Images

---



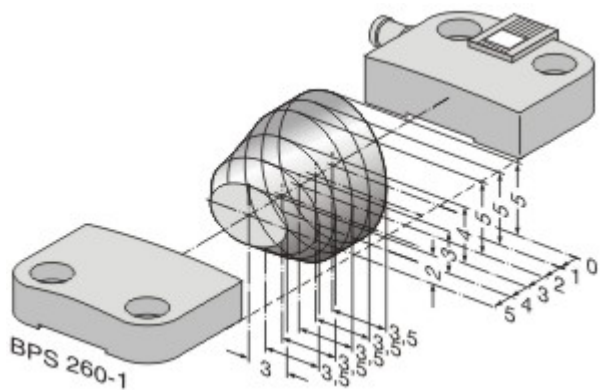
Dimensional drawing (basic component)

---



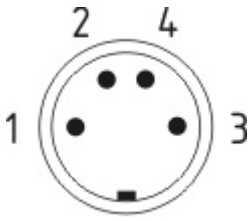
Characteristic curve

---

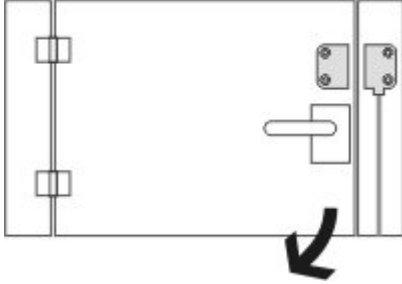


Characteristic curve

---



Contact arrangement



Clipart

## System components

### Actuator



#### 101184395 - BPS 260-1

- Actuator and sensor on a mounting level



#### 101184396 - BPS 260-2

- Actuator 90 ° attached to the sensor

### Accessories



#### 101184643 - SPACER BNS 260

- to mount the magnetic safety sensor and actuator on ferromagnetic material

### Connector



#### 101194060 - BNS-Y-02

- enables the interconnection and the connection of BNS safety sensors to a common safety monitoring module
- for BNS 33, BNS 36, BNS 260 (with 2 NC)

The data and values have been checked thoroughly. Technical modifications and errors excepted.  
Generiert am 29.01.2016 - 04:46:42h Kasbase 3.2.1.F.64I