

## Datasheet - SRB 301LC/B-24V



Guard door monitors and Safety control modules for Emergency Stop applications / General Purpose safety controllers (Series PROTECT SRB) / SRB 301LC/B



- Fit for signal evaluation of outputs of safety magnetic switches (to this end, integrated current and voltage limiters)
- Suitable for signal processing of potential-free outputs, e.g. emergency stop command devices, position switches and solenoid interlocks
- Suitable for signal processing of outputs connected to potentials (AOPDs), e.g. safety light grids/curtains
- 3 safety contacts, STOP 0
- 1 Signalling output

(Minor differences between the printed image and the original product may exist!)

### Ordering details

Product type description	SRB 301LC/B-24V
Article number	101177962
EAN code	4030661315836
eCl@ss	27-37-19-01

### Approval

Approval



### Classification

Standards	EN ISO 13849-1, IEC 61508, EN 60947-5-1
PL	up e (STOP 0)
Control category	up 4 (STOP 0)
DC	99% (STOP 0)
CCF	> 65 points
PFH value	$\leq 2,0 \times 10^{-8}/h$ (STOP 0)
SIL	up 3 (STOP 0)
Mission time	20 Years
- notice	The PFH value is applicable for the combinations listed in the table for

contact load (K) (current through enabling paths) and switching cycle number (n-op/y).


In case of 365 operating days per year and a 24-hour operation, this results in the specified switching cycle times (t-cycle) for the relay contacts.

Diverging applications on request.

K	n-op/y	t-cycle
20 %	525.600	1,0 min
40 %	210.240	2,5 min
60 %	75.067	7,0 min
80 %	30.918	17,0 min
100 %	12.223	43,0 min

## Global Properties

---

Product name	SRB 301LC/B
Standards	IEC/EN 60204-1, EN 60947-5-1, EN ISO 13849-1, IEC 61508
Compliance with the Directives (Y/N) 	Yes
Climatic stress	EN 60068-2-78
Mounting	snaps onto standard DIN rail to EN 60715
Terminal designations	IEC/EN 60947-1
Materials	
- Material of the housings	Plastic, glass-fibre reinforced thermoplastic, ventilated
- Material of the contacts	, self-cleaning, positive action
Weight	230 g
Start conditions	Automatic or Start button
Start input (Y/N)	Yes
Feedback circuit (Y/N)	Yes
Start-up test (Y/N)	No
Automatic reset function (Y/N)	Yes
Reset with edge detection (Y/N)	No
Pull-in delay	
- ON delay with automatic start	≤ 300 ms
- ON delay with reset button	≤ 20 ms
Drop-out delay	
- Drop-out delay in case of emergency stop	≤ 25 ms

## Mechanical data

---

Connection type	Screw connection
Cable section	
- Min. Cable section	0,25 mm <sup>2</sup>
- Max. Cable section	2.5 mm <sup>2</sup>
Pre-wired cable	rigid or flexible
Tightening torque for the terminals	0,6 Nm
Detachable terminals (Y/N)	No
Mechanical life	10.000.000 operations
Electrical lifetime	Derating curve available on request
resistance to shock	30 g / 11 ms
Resistance to vibration To EN 60068-2-6	10...55 Hz, Amplitude 0,35 mm, ± 15 %

## Ambient conditions

---

Ambient temperature	
- Min. environmental temperature	-25 °C
- Max. environmental temperature	+45 °C
Storage and transport temperature	
- Min. Storage and transport temperature	-40 °C

- Max. Storage and transport temperature	+85 °C
Protection class	
- Protection class-Enclosure	IP40
- Protection class-Terminals	IP20
- Protection class-Clearance	IP54
Air clearances and creepage distances To IEC/EN 60664-1	
- Rated impulse withstand voltage $U_{imp}$	4 kV
- Overvoltage category	II To VDE 0110
- Degree of pollution	2 To VDE 0110

## Electromagnetic compatibility (EMC)

---

EMC rating	conforming to EMC Directive
------------	-----------------------------

## Electrical data

---

Rated DC voltage for controls	
- Min. rated DC voltage for controls	20.4 V
- Max. rated DC voltage for controls	28.8 V
Rated AC voltage for controls, 50 Hz	
- Min. rated AC voltage for controls, 50 Hz	20.4 V
- Max. rated AC voltage for controls, 50 Hz	26.4 V
Rated AC voltage for controls, 60 Hz	
- Min. rated AC voltage for controls, 60 Hz	20.4 V
- Max. rated AC voltage for controls, 60 Hz	26.4 V
Contact resistance	max. 100 mΩ
Power consumption	max. 1.7 W; 1.9 VA
Type of actuation	AC/DC
Switch frequency	max. 5 Hz
Rated operating voltage $U_e$	24 VDC -15% / +20%, residual ripple max. 10% 24 VAC -15% / +10%
Operating current $I_e$	0,08 A
Frequency range	50 / 60 Hz
Electronic protection (Y/N)	No
Fuse rating for the operating voltage	0,5 A gG D-fuse

## Inputs

---

<b>Monitored inputs</b>	
- Short-circuit recognition (Y/N)	No
- Wire breakage detection (Y/N)	Yes
- Earth connection detection (Y/N)	Yes
Number of shutters	0 piece
Number of openers	2 piece
Cable length	1500 m with 1.5 mm <sup>2</sup> ; 2500 m with 2.5 mm <sup>2</sup>
Conduction resistance	max. 40 Ω

## Outputs

---

Stop category	0
Number of safety contacts	3 piece
Number of auxiliary contacts	1 piece
Number of signalling outputs	0 piece

Switching capacity	
- Switching capacity of the safety contacts	max. 250 VAC, 6 A ohmic (inductive in case of appropriate protective wiring) min. 10 V, 10 mA
- Switching capacity of the auxiliary contacts	24 VDC, 2 A
Fuse rating	
- Protection of the safety contacts	6 A slow blow
- Fuse rating for the auxiliary contacts	2 A slow blow
Utilisation category To EN 60947-5-1	AC-15: 230 V / 6 A DC-13: 24 V / 6 A
Number of undelayed semi-conductor outputs with signaling function	0 piece
Number of undelayed outputs with signaling function (with contact)	1 piece
Number of delayed semi-conductor outputs with signaling function.	0 piece
Number of delayed outputs with signalling function (with contact).	0 piece
Number of secure undelayed semi-conductor outputs with signaling function	0 piece
Number of secure, undelayed outputs with signaling function, with contact.	3 piece
Number of secure, delayed semi-conductor outputs with signaling function	0 piece
Number of secure, delayed outputs with signaling function (with contact).	0 piece



## LED switching conditions display

---

LED switching conditions display (Y/N)	Yes
Number of LED's	4 piece
LED switching conditions display	
- The integrated LEDs indicate the following operating states.	
- Position relay K1	
- Position relay K2	
- Supply voltage	
- Internal operating voltage $U_i$	

## Miscellaneous data

---

Applications	 Emergency-Stop button  Guard system  Pull-wire emergency stop switches  Safety light curtain  Safety sensor
--------------	---

## Dimensions

---

Dimensions	
- Width	22.5 mm
- Height	100 mm
- Depth	121 mm

## notice

---

Inductive loads (e.g. contactors, relays, etc.) are to be suppressed by means of a suitable circuit.

## notice - Wiring example

---

**Input level:** The example shows a 2-channel control of a guard door monitoring with two position switches, whereof one with positive break, external reset button (R); cross-wire monitoring and feedback circuit (H2)

The control system recognises wire-breakage and earth faults in the monitoring circuit.

**Relay outputs:** Suitable for 2 channel control, for increase in capacity or number of contacts by means of contactors or relays with positive-guided contacts.

For 1-channel control, connect NC contact to S11/S12 and bridge S12/S22

Connect potential p-type outputs of safety light grids/curtains to S12/S22. The devices must have the same reference potential.

**Automatic start:** The automatic start is programmed by connecting the feedback circuit to the terminals X1/X2. If the feedback circuit is not required, establish a bridge

The wiring diagram is shown with guard doors closed and in de-energised condition.

## Documents

---

**Operating instructions and Declaration of conformity** (es) 236 kB, 03.01.2014

Code: mrl\_srb\_301lc\_b\_es

**Operating instructions and Declaration of conformity** (es) 236 kB, 03.01.2014

Code: mrl\_srb\_301lc\_b\_es

**Operating instructions and Declaration of conformity** (nl) 236 kB, 03.01.2014

Code: mrl\_srb\_301lc\_b\_nl

**Operating instructions and Declaration of conformity** (nl) 236 kB, 03.01.2014

Code: mrl\_srb\_301lc\_b\_nl

**Operating instructions and Declaration of conformity** (pt) 240 kB, 27.11.2013

Code: mrl\_srb\_301lc\_b\_pt

**Operating instructions and Declaration of conformity** (pt) 240 kB, 27.11.2013

Code: mrl\_srb\_301lc\_b\_pt

**Operating instructions and Declaration of conformity** (fr) 250 kB, 28.01.2014

Code: mrl\_srb\_301lc\_b\_fr

**Operating instructions and Declaration of conformity** (fr) 250 kB, 28.01.2014

Code: mrl\_srb\_301lc\_b\_fr

**Operating instructions and Declaration of conformity** (de) 242 kB, 30.09.2013

Code: mrl\_srb\_301lc\_b\_de

**Operating instructions and Declaration of conformity** (de) 242 kB, 30.09.2013

Code: mrl\_srb\_301lc\_b\_de

**Operating instructions and Declaration of conformity** (da) 319 kB, 29.08.2013

Code: mrl\_srb\_301lc\_b\_da

**Operating instructions and Declaration of conformity** (da) 319 kB, 29.08.2013

Code: mrl\_srb\_301lc\_b\_da

**Operating instructions and Declaration of conformity** (pl) 268 kB, 20.03.2014

Code: mrl\_srb\_301lc\_b\_pl

**Operating instructions and Declaration of conformity** (pl) 268 kB, 20.03.2014

Code: mrl\_srb\_301lc\_b\_pl

**Operating instructions and Declaration of conformity (it)** 233 kB, 03.01.2014

Code: mrl\_srb\_301lc\_b\_it

**Operating instructions and Declaration of conformity (it)** 233 kB, 03.01.2014

Code: mrl\_srb\_301lc\_b\_it

**Operating instructions and Declaration of conformity (en)** 233 kB, 30.09.2013

Code: mrl\_srb\_301lc\_b\_en

**Operating instructions and Declaration of conformity (en)** 233 kB, 30.09.2013

Code: mrl\_srb\_301lc\_b\_en

**Operating instructions and Declaration of conformity (jp)** 337 kB, 03.01.2014

Code: mrl\_srb\_301lc\_b\_jp

**Operating instructions and Declaration of conformity (jp)** 337 kB, 03.01.2014

Code: mrl\_srb\_301lc\_b\_jp

**Wiring example (99)** 15 kB, 06.08.2009

Code: ksr3123

**Wiring example (99)** 20 kB, 22.08.2008

Code: ksr3111

**CCC certification (cn)** 96 kB, 24.09.2015

Code: q\_srbp02

**CCC certification (en)** 122 kB, 24.09.2015

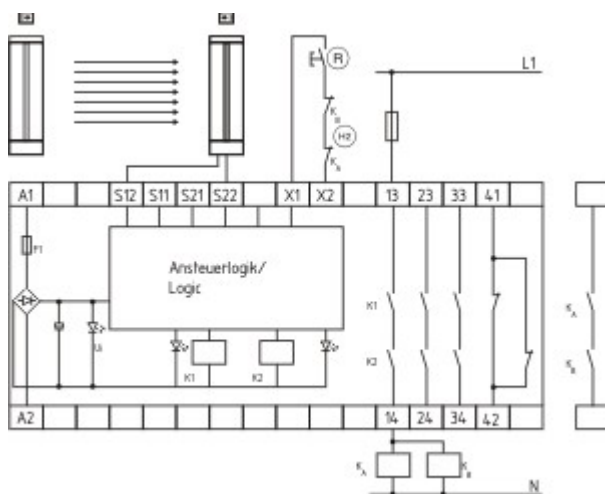
Code: q\_srbp01

**EAC certification (ru)** 833 kB, 05.10.2015

Code: q\_6042p17\_ru

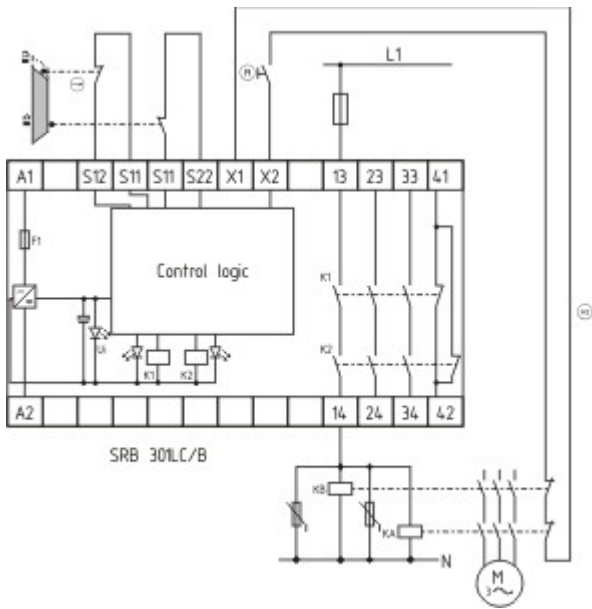
## Images

---

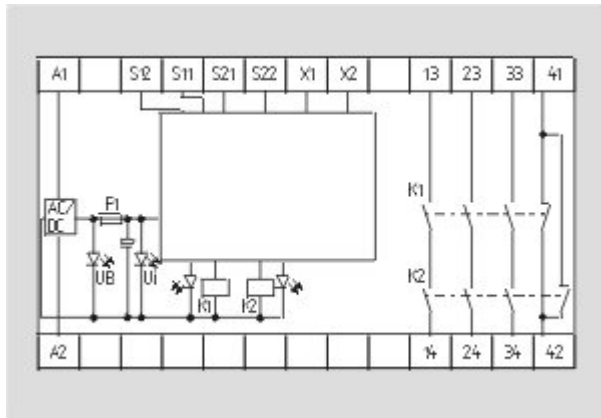


Wiring example

---



Wiring example



Internal wiring diagram

K.A. Schmersal GmbH & Co. KG, Möddinghofe 30, D-42279 Wuppertal

The data and values have been checked thoroughly. Technical modifications and errors excepted.

Generiert am 27.01.2016 - 00:27:18h Kasbase 3.2.1.F.64I