

Datasheet - BPS 300

Safety sensors / BNS 333 / Actuator



Preferred typ



(Minor differences between the printed image and the original product may exist!)

Ordering details

Product type description	BPS 300
Article number	101113734
EAN code	4030661022437
eCl@ss	27-27-92-17

Global Properties

Product name	Magnet
Materials	
- Material of the housings	Plastic
Weight	30 g

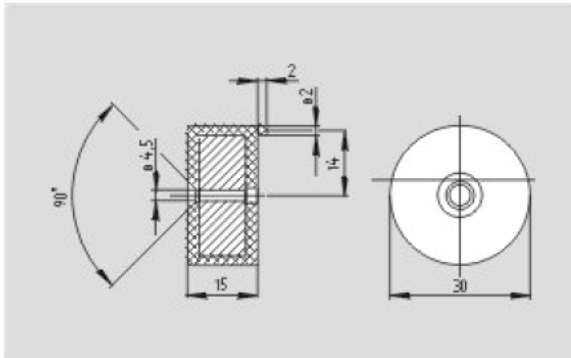
Dimensions

Dimensions of the actuators	
- Width of the actuator	15 mm
- Diameter of the actuator	30 mm

Included in delivery

tamperproof screws	1 piece
--------------------	---------

Images



Dimensional drawing (miscellaneous)

K.A. Schmersal GmbH & Co. KG, Möddinghofe 30, D-42279 Wuppertal
The data and values have been checked thoroughly. Technical modifications and errors excepted.
Generiert am 27.01.2016 - 22:52:59h Kasbase 3.2.1.F.64I