

Datasheet - BPS 33

Safety sensors / BNS 33 / Actuator



Preferred typ



(Minor differences between the printed image and the original product may exist!)

Ordering details

Product type description	BPS 33
Article number	101107771
EAN code	4030861272849
eCl@ss	27-27-02-17

Global Properties

Product name	Magnet
Materials	
- Material of the housings	Plastic
Weight	25 g

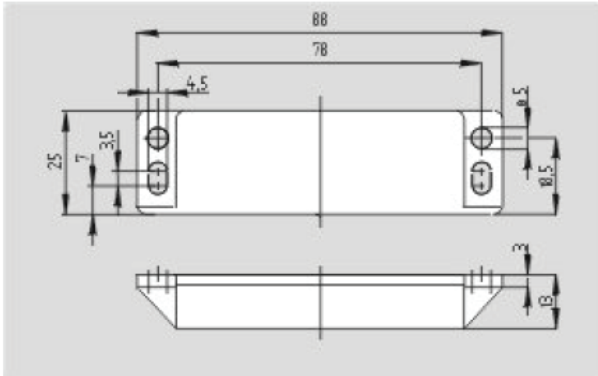
Dimensions

Dimensions of the actuators	
- Width of the actuator	88 mm
- Height of the actuator	25 mm
- Length of the actuator	13 mm

Included in delivery

tamperproof screws	2 piece
--------------------	---------

Images



Dimensional drawing (miscellaneous)

K.A. Schmersal GmbH & Co. KG, Möddinghofe 30, D-42279 Wuppertal
The data and values have been checked thoroughly. Technical modifications and errors excepted.
Generiert am 27.01.2016 - 00:33:39h Kasbase 3.2.1.F.64I