

Datasheet - IFL 5-18-10STP

Inductive proximity switch / Housing construction form: cylinder, thread / IFL - M18



Preferred typ



- Design M 18 x 1
- Metal enclosure
- DC 3-wire
- Connector M12

(Minor differences between the printed image and the original product may exist!)

Ordering details

| | |
|--------------------------|----------------|
| Product type description | IFL 5-18-10STP |
| Article number | 101099563 |
| EAN code | 4030661008936 |
| eCl@ss | 27-27-01-01 |

Global Properties

| | |
|--|------------------------------------|
| Product name | IFL - M18 |
| Standards | IEC/EN 60947-5-2; DIN VDE 0660-208 |
| Compliance with the Directives (Y/N)  | Yes |
| Operating resource protection class | None |
| Materials | |
| - Material of the housings | Brass |
| - Material of the nuts | Brass |
| - Material of the active surface | Plastic |
| Housing coating | nickel-plated |
| Housing construction form | cylinder, thread |
| Weight | 50 g |

Mechanical data

| | |
|---------------------------------|---------------|
| Design of electrical connection | Connector M12 |
|---------------------------------|---------------|

| | |
|------------------------------------|---|
| Conductor with strain relief | No |
| mechanical installation conditions | flush |
| Switch distance | 5 mm |
| Reduction factor 1 met (Y/N) | No |
| Protection circuit | inductive interference protection, Protection against polarity reversal, short-circuit and overload proof |
| Pressure resistant (Y/N) | No |
| Tightening torque for nuts | A/F 24 max. 1800 Ncm |

Ambient conditions

| | |
|----------------------------------|----------------------|
| Ambient temperature | |
| - Min. environmental temperature | -25 °C |
| - Max. environmental temperature | +70 °C |
| Protection class | IP67 to IEC/EN 60529 |

Electrical data

| | |
|---------------------------|----------------------------|
| Design of control element | Normally open contact (NO) |
| Number of wire | 3 piece |
| Voltage type | DC, direct current |
| Supply voltage U_B | |
| - Min. supply voltage | 10 V |
| - Max. supply voltage | 30 V |
| Switch frequency | approx. 400 Hz |
| Voltage drop U_d | approx. 1.2 V (200 mA) |
| Operating current I_e | 200 mA |
| No-load current I_0 | approx. 3 mA (24 V) |

Outputs

| | |
|--------------------------|-----|
| Design of control output | PNP |
|--------------------------|-----|

LED switching conditions display

| | |
|--|-----|
| LED switching conditions display (Y/N) | Yes |
| - yellow LED | |

ATEX

| | |
|---|------|
| Explosion protection categories for gases | None |
| Explosion protected category for dusts | None |

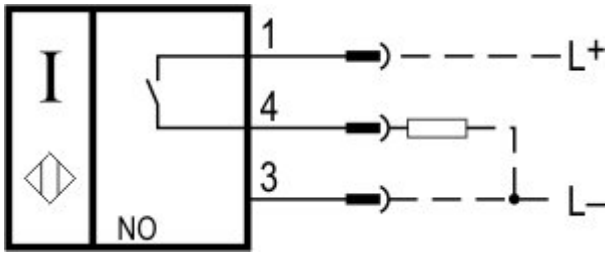
Dimensions

| | |
|--------------------------|---------|
| Dimensions of the sensor | |
| - Length of sensor | 71.4 mm |
| - Diameter of sensor | M18 |

notice

Instead of nuts, a mounting clamp can be provided.

Diagram



Note Diagram

- positive break NC contact
- active
- no active
- Normally-open contact
- Normally-closed contact

Ordering code

IFL (1)-(2)(3)-(4)(5)(6)(7)-(8)

(1)

5 Switch distance 5 mm
 8 Switch distance 8 mm
 10 Switch distance 10 mm

(2)

18 cylinder, thread M18, Metal film
 180 cylinder, thread M18, Plastic

(3)

without Included in standard version Design
 M miniature body
 L Long design

(4)

01 Opener (NC)
 10 Normally open contact (NO)
 10/01 Normally open contact (NO) / Opener (NC) with Wiring compartment
 11 Normally open contact (NO) / Opener (NC) antivalent

(5)

without Cable
 ST Connector
 T Conductor with strain relief
 A Alternating current/direct current AC/DC
 D DC 2-wire

(6)

without Included in standard version Plug-in connection
 2 Alternative Plug-in connection

(7)

N n-type
 P p-type

(8)

2033 Stainless steel enclosure
 2130 Max. +130°C, without LED switching conditions display

Documents

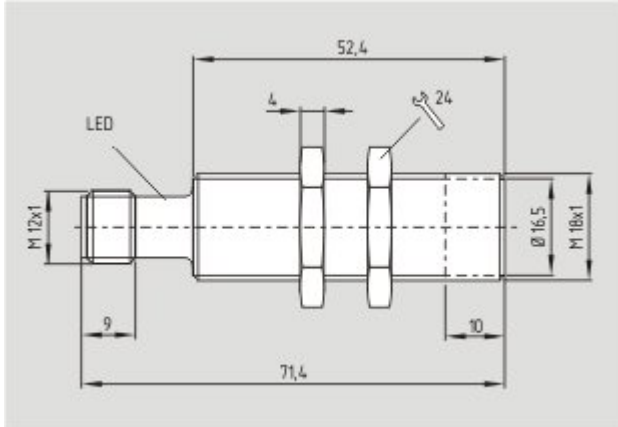
Mounting and wiring instructions (de, en, fr, it) 79 kB, 05.10.2010

Code: m_fl1p01

Declaration of conformity (en, de) 232 kB, 05.11.2013

Code: __iflp01

Images



Dimensional drawing (basic component)

System components

Mounting accessories



101068879 - MOUNTING CLAMP H 18

- For a smooth fitting of the proximity switches with cylindric shape Ø 18 mm or thread M18

K.A. Schmersal GmbH & Co. KG, Mödinghofe 30, D-42279 Wuppertal

The data and values have been checked thoroughly. Technical modifications and errors excepted.

Generiert am 18.01.2016 - 23:32:35h Kasbase 3.2.1.F.64I