



## 1-10V dimmer SDF30

1-10V analogue dimmer and controller

### Application

Ideal for residential and commercial lighting control requirements

### Design Specifications

- 1-10V rotary analogue dimmer
- Fit most popular switch plates
- Note: maximum quantity of connected devices is 30 or a maximum current sink of 50mA

### Performance

Dimmable - **YES**

Dimmer Type - **Analogue 1- 10V**

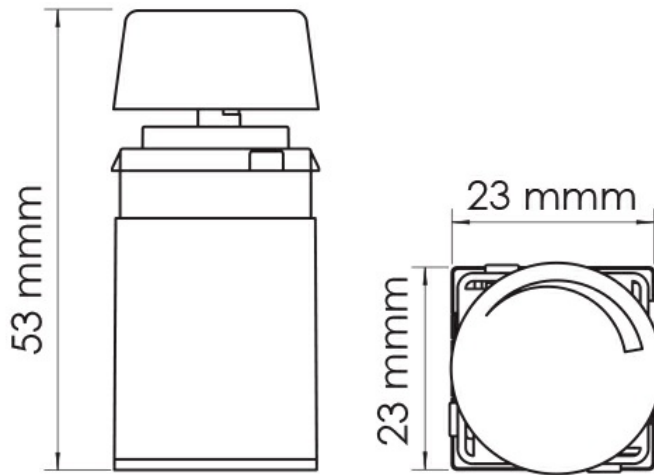


### Technical Specification

Model No.	Description	Input Voltage (V/AC)	Dim (mm)	Body Colour
SDF30	1-10V dimmer control	10	53(L) x 23(W) x 23(H)	WHITE

Due to continued product and technology enhancements, data sourced from sal.net.au shall not form part of any contract and or technical performance guarantee unless expressly confirmed in writing by SAL at the time of order. Products are sold in accordance with [SAL Terms and Conditions of sale](#) and all images shown are for illustration purposes only and may vary from the actual colour or finish. Unless specifically stated, all IP ratings nominated for Interior products are from "below the ceiling".

## Dimensions



## Wiring Diagram

