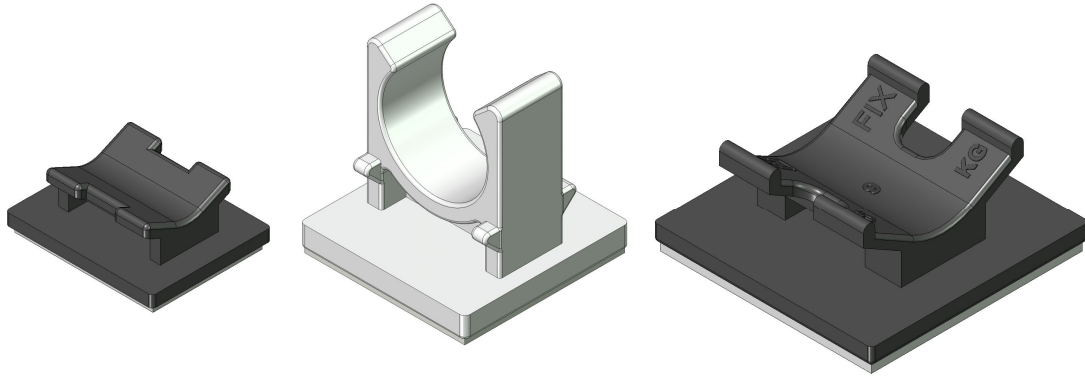


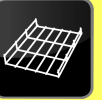
# EZIFIX

December 2011



**NOTE:** Due to the flammable nature of the FX 10 Primer required in the application of Ezi Fix fasteners, please allow 3-4 days delivery time, as the Primer cannot be dispatched by normal courier methods.

Cable Care  
EZIFIX



A2

Phone 0800 239 239  
Fax 0800 231 231  
Email sales@hamer.co.nz  
www.hamer.co.nz

Bringing you the best

**HAMER**  
LIMITED

**Cable Care**  
EZIFIX



**A2**

# Contents

Ezifix Accessories Product List	4
Application Procedure	6
Workplace Health & Safety	7
General	7
FX-10 Aerosal Primer	7
Ezifix FX-10 Information Sheet <i>Application of VHB Adhesive Fasteners Preparation Selection Guide</i>	8
Frequently Asked Questions	9
Statement of Conformance and Warranty	10
Approvals for Plumbing	10



# Ezifix Accessories Product List

## Primer

Hamer Code	Colour	Description	Quantity
EZ0033	Clear	FX 10 Clear primer	1
EZ0034	Orange	FX 10 Orange primer	1



## Solvent

Hamer Code	Description	Quantity
EZ0070	700 Solvent (aerosol)	1

## Heads

Hamer Code	Description	Quantity
EZ0092	Universal head	1
EZ0093	Pipe clip head	1
EZ0094	30mm Saddle head	1
EZ0099	Primer Head	1
EZ0100C	200mm T-200 tool clip head	1
EZ0100S	200mm T-200 tool saddle head	1
EZ0101	400mm T-400 head	1



EZ0094

## Tools

Hamer Code	Description	Quantity
EZ0103	1500mm to 3M T-1500 tool	1

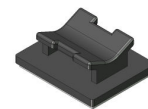


EZ0103

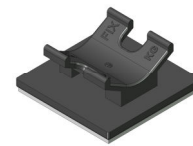


## Saddles & Cable Ties

Hamer Code	Colour	Description	Quantity
EZ0904	Natural	16*20 Data saddles & cable ties	100
EZ0994	Black	16*20 Data saddles & cable ties	100
EZ1304	Natural	30mm Saddles & cable ties	100
EZ1394	Black	30mm Saddles & cable ties	100
EZ2294	Black	SWL 10.0kg 50mm saddles	100



EZ0994



EZ1394

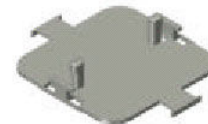
## Pipe Clip

Hamer Code	Colour	Description	Quantity
EZ1684	Grey	20mm pipe clip	100
EZ1784	Grey	25mm pipe clip	100



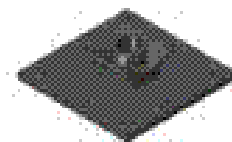
## Socket Base

Hamer Code	Colour	Description	Quantity
EZ1884	Grey	SWL 10.0kg socket base	100



## Boss / Threaded Boss

Hamer Code	Colour	Description	Quantity
EZ2194	Black	SWL10. 50mm M10 threaded boss	100



## Boss / Threaded Boss

Hamer Code	Colour	Description	Quantity
EZ3264	Yellow	Pre position hifold M6 fastener SWL 200kg	100
EZ3454	Green	Pre position hifold M12 fastener SWL 350kg	100
<i>Non Stocked Items</i>			
<i>*EZ3093*</i>	<i>Black</i>	<i>Pre position ceiling hanger SWL 150kg</i>	<i>100</i>
<i>EZ3324*</i>	<i>Red</i>	<i>Pre position hifold M10 fastener SWL 300kg</i>	<i>100</i>



# Application Procedure

- The Following Procedure Should be Strictly Adhered to:
- The fasteners can be adhered to Concrete, Metal, Hebel Stone, and Fibreglass etc.
- Pre Plan the area to be primed. The surface is to be clean, flat and dry.
- Galvanised and bare steel may have residual formwork oil on the surface. This will inhibit adhesion and should be cleaned with acetone or Scotch 700 and one sweep of a cloth before priming.
- If using clear primer, mark the location to be primed, as primer cannot be seen when dried.
- Shake primer for 60 seconds before using. Apply primer sparingly just slightly larger than the base area of the fastener.
- Allow 20 minutes drying time for primer.
- Primer stays active for up to 14 days, which permits pre priming of large areas.
- It is crucial that primer is dry before applying the fastener.
- Remove the adhesive cover on the fitting. Primer and fixings can be installed from the floor level. Using Ezifix Tools, 5 meters above floor is possible.
- Using the appropriate application tool, press the product to the pre-primed surface (fully compressing the application tool which has a spring loaded mechanism). This will expel the air and ensure maximum bond strength between the surfaces.
- The fastener is ready for full load immediately. (92% strength).
- You now have a strong bond that will increase as time goes on.
- Fixings with 30mm base are rated for a maximum working load of 5kg.
- Fixings with 50mm base are rated for a maximum working load of 10kg.
- Fixings with 75mm base are rated for a maximum working load of 20kg.
- Technical information is available from your supplier/the distributor or visit the Ezifix website [www.ezifix.com](http://www.ezifix.com).
- No Drilling
- No Noise
- No Mess

EZIFIX FASTENING SYSTEMS has developed pre-positioned cast-in concrete fastenings to be used for fasteners, acoustic ceiling fasteners and high load fastenings. In conjunction with 3M, very high bond (VHB) adhesive range of fastenings has been developed.

Utilizing state of the art aerospace technology incorporating 3M VHB tape, this chemical adhesive system eliminates the need for drilling.

Since inception in Australia, we have seen the interest in EZIFIX products grow and being used in all States and the Territories. High profile contracting firms, Telstra, Queensland Rail and others have accepted the system and now prefer to use the EZIFIX FASTENING SYSTEM rather than return to the old methods requiring drilling. Fastenings are currently in use in Australia, NZ, Canada, UK, Sweden as well as Australian Embassy in Beijing China.

**"THE PROVEN, SAFE SURE WAY TO FIX CABLE, CONDUIT, INSULATION & LIGHT PIPING TO MOST SURFACES"**

- No drilling
- No noise
- No dust
- No mess
- Significant labour savings
- Endorsed by Back Watch Committee of NSW
- Certified by Australian standards
- Certified by British Standards. Report No 285/4000208
- Certificate of approved training issued
- 3M and Dupont approved

Visit our website [www.hamer.co.nz](http://www.hamer.co.nz) or call today for introduction and free on site demonstration and training.



# Workplace Health & Safety

- Eliminates overhead drilling
- No high frequency hearing damage
- No danger to fellow workers
- No eye damage danger
- Less ladder time
- Ezifix tools recommended by government bodies

## General

- Silent installation for hospitals, universities, office or residential refurbishment
- The Ezifix fastening system meets standard requirements, when used to manufacturers specifications and is approved for use by major plumbing authorities
- Ezifix fasteners are ideal for hostile, corrosive environments where metal fasteners are at risk.

## FX-10

Ezifix FX-10 Aerosol is made from 3M primers especially for VHB Tape Application to certain surfaces.

The FX-10 should be used on concrete or porous surfaces that will absorb and bond. It is not necessary to use the FX-10 on clean flat stainless steel, glass, and aluminium surfaces. If in doubt consult your representative.

Ezifix FX-10 Aerosol should be sprayed on the contact surface in a light mist and not a heavy spray cover (more is not better).

Ezifix FX-10 comes in both clear and blaze orange dye colouring. It is very important that each can be thoroughly shaken to mix the contents before and periodically during use.

If the FX-10 is cold (under 15°C) it may not spray in a mist, but come out in a single stream. If this happens, soak the can in hot water for a few minutes.

If a surface requires cleaning to remove oxides, it is recommended that surface be abraded with abrasive disc and one (1) swipe with clean cloth. Only alcohol, acetone or 3M scotch 700 solvent should be used in cleaning. Do not rub surface after spraying the area to be cleaned. Just single swipe in one direction (Rubbing will smear dirt around the area to be contacted)

Ezifix Technical Information Sheet is attached for reference.



# Ezifix FX-10 Information Sheet

## Application of VHB Adhesive Fasteners Preparation Selection Guide

Surfaces	Potential Problems	Suggested Surface Preparation
Glass/Other Ceramic Surfaces	Dusts, dirt, grease etc  Potential for bond failure if the tape to be placed under high load conditions	Dust, Dirt, Grease etc: <ul style="list-style-type: none"> <li>▪ Wipe with Scotch brand 700 spray Adhesive cleaner and solvent</li> <li>▪ Wipe with a clean dry cloth</li> </ul> High Stress Application <ul style="list-style-type: none"> <li>▪ A glass primer may be required</li> <li>▪ Consult technical services</li> </ul>
All Plastics	Mould release agents Dirt grease, dusts etc	<ul style="list-style-type: none"> <li>▪ Wipe the surface with a suitable solvent to remove mould release agent</li> <li>▪ Abrade surface with a Scotch-Brite brand pads – Note: This will leave a matte finish on the plastic</li> <li>▪ Solvent wipe the surface</li> <li>▪ Wipe with clean, dry cloth</li> <li>▪ Contact technical services re solvents</li> </ul>
Polycarbonate	Out gassing may occur and create bubbles under the adhesive	<ul style="list-style-type: none"> <li>▪ Follow technique tested under “all plastics”</li> <li>▪ Evaluate the effects of out gassing by placing the bonded parts in a 65° C oven for 24 hours - Note: This can be arranged through technical services</li> </ul>
Metal i.e.: Steel, Aluminium, Copper, Brass	Oxidation Rusting Mill Scale Oil, grease etc	<ul style="list-style-type: none"> <li>▪ Solvent wipe metal to remove grease and oil</li> <li>▪ Abrade surface using 3M Scotch-Brite brand light or heavy duty pads</li> <li>▪ Solvent wipe the abraded surface</li> <li>▪ Wipe with a clean dry cloth</li> </ul>
Galvanized Metal (Zinc coated metal)	Difficult to bond  Poor adherence of zinc coating to metal	If Zinc poorly adhered to the metal: <ul style="list-style-type: none"> <li>▪ Abrade the surface- by machine or by hand</li> <li>▪ Solvent wipe the metal surface</li> <li>▪ Wipe with dry cloth</li> </ul>
Brass, Copper	Reaction between the adhesive and the metal  Further oxidation of the metal	After cleaning the metal apply acrylic lacquer to prevent further oxidation or adhesive reaction



Surfaces	Potential Problems	Suggested Surface Preparation
Painted surface i.e.: <ul style="list-style-type: none"> <li>▪ Baked enamel</li> <li>▪ Powder coated painted</li> <li>▪ Colour-bond</li> <li>▪ Air dried paints</li> </ul>	Most resistant agents Flow agents Fillers, possibly silicone modified Flaking Paint	Paint adhered firmly to surface: <ul style="list-style-type: none"> <li>▪ Lightly abrade surface with Scotch-Brite pad</li> <li>▪ Solvent wipe with Scotch brand 700 Spray adhesive cleaner and solvent</li> <li>▪ Wipe with a dry cloth</li> </ul> Paint flaking from surface: <ul style="list-style-type: none"> <li>▪ Paint must be removed completely from the surface prior to solvent wiping</li> <li>▪ Clean underlying surface</li> </ul>
Concrete Fibre Board Gyprock	Dust, Dags	<ul style="list-style-type: none"> <li>▪ Wipe with dry soft cloth</li> <li>▪ Lightly spray area to be contacted with FX-10</li> </ul>

## Frequently Asked Questions

**Q. What Surfaces Are Suitable For The Fasteners?**

A. Any flat, dry, clean surface. This includes concrete, metal and even materials like Hebel stone, Gyprock and fiberglass.

**Q. How Long Must I Wait After Priming?**

A. We suggest on porous surfaces like concrete, that you wait a minimum of 20 minutes before applying the fastener to the primed spot. There is no maximum waiting time so an area may be pre primed ahead and the fastener and fitted at high speed on completion of the priming. Several floors of a high rise may be pre primed to allow for a crew following with the installation.

**Q. How Do I Know If I Have Pushed The Fastener Onto The Surface Properly?**

A. Ezifix have a range of different length tools, which are spring loaded. These tools have an indicator to show when you have pushed hard enough.

**Q. What Is The Most Common Cause Of Failure?**

A. Placing the fasteners on primed surfaces, which have not properly dried (i.e. not waiting 20 minutes).  
 Placing fasteners on contaminated surfaces.  
 Not pressing on with sufficient force to expel air from tape.

**Q. Are There Any Surfaces, Which Do Not Need Priming?**

A. Yes – Powder coated, two pack painted and glass, need only to be clean. If surface is oxidized use Scotch 700 solvent and abrade (ask dealer).

**Q. Are There Any Surfaces, Which Require Special Attention?**

A. Yes – Galvanised surfaces, such as under tray for poured concrete floors and bare steel, frequently have residual formwork oil on their surface, which may inhibit adhesion. This should be cleaned with acetone or Scotch 700 (Ezifix 0070) and one sweep of a cloth before priming.

**Q. Is There A Warranty?**

A. Yes – Ezifix offers a Certificate of Conformance and Lifetime Warranty. This Warranty is available to installers who have been issued a numbered training certificate. The training is a free service offered on site and takes about 20 minutes. This warranty, combined with the numbered certificate cards is most useful when presenting a submission on a major project.

**Q. How Do We Know The Products Aren't Going To Weaken Over Time?**

A. The acrylic adhesive used is a 3M Very High Bond adhesive which has been used in various applications; eg. Freeway signs, glass curtain walls, aircraft wings, truck and coach bodies, ambulances, for over 30 year without failure. This VHB has been tested extensively and shows an 8% gain in strength over an 11 year period.





**Q. Are The Fasteners Suitable In Corrosive Environments Such As Marine, Chemical Treatment Plants And Sewerage Treatment Plants?**

A. Both the acrylic adhesive and glass filled nylon bodies have excellent chemical resistant properties.

**Q. In What Temperature Ranges Can The Fasteners Be Used?**

A. From: -40deg C to 90deg C. This means fasteners are ideal for installing services through cold rooms, particularly as they avoid penetrations in sandwich panel walls.

**Q. How Do I Remove The Fasteners If I Put It In The Wrong Place?**

A. Use a bolster and hammer, wipe clean with alcohol, acetone, Scotch 700 available from Ezifix.

**Q. How Do I Get More Technical Data?**

A. You may phone or Email Hamer Limited for a prompt reply.

Phone (03) 366-2483

[sales@hamer.co.nz](mailto:sales@hamer.co.nz)

[www.hamer.co.nz](http://www.hamer.co.nz)

3M Durability Data and Dupont data including chemical resistance is accessible through the web at [www.ezifix.com](http://www.ezifix.com).

## Statement of Conformance & Warranty

Ezifix Fastening Systems products conform to all applicable Australian Standards and Regulations when the particular product is used for the purpose intended by the Manufacturer.

1. If the relevant "Ezifix" product is installed in accordance with our instructions, the product will remain effective for the lifetime of any building, so long as the following criteria are met.
  - (a) The total loading (weight) applied to the product never exceeds the designed loading (weight) limits during the life of the building as specified on the relevant product or in any relevant "Ezifix" brochures concerning the product;
  - (b) Individuals who have been trained and certified by Ezifix Fastening Systems install the product in accordance with our specifications.

Hamer Limited offers free training to individuals who will install our product. This usually takes place at the product user's place of work or at a place agreed by both parties. The trained individual is issued with a Certificate from Ezifix confirming that the individual has completed training in relation to the installation of the relevant product. Each Certificate has an individual serial number and Ezifix maintains a register of certificates issued which is available for inspection by users.

2. Except as set out above, Hamer Limited and Ezifix Fastening Systems excludes all express or implied conditions and warranties regarding its products or the installation of its products, except any implied condition or warranty, the exclusion that would contravene any statute.

Hamer Limited and Ezifix Fastening Systems do not accept any responsibility for any loss or damage suffered as a result of faulty installation of its products.

## Approvals for Plumbing

The EZIFIX FASTENING SYSTEM complies with all requirements of all relevant Australian Standards including AS/NZS3500.

"The Ezifix Chemical Adhesive Fastening System meets the requirements of AS/NZS3500.1-1992 providing that the manufacturer's instructions and Safe Working Loads are followed and that the spacing of brackets and clips complies with Table 5.2 of the Standard."

Lloyd Russell, Projects Manager, Standards Australia Ezifix Fastening Systems Australia Pty Ltd designed the 50mmx50mm saddle in co-operation with technical experts from the Queensland Master Plumbers Association. The products have been reviewed by Max Mafucci and Lloyd Russell of Standards Australia and confirm in every respect to C15.7.2 Items (a) to (h).

- Item (a) The saddle material is glass-reinforced nylon, which in shock load tests conducted by Adelaide University Engineering Test Laboratories, rated 2.68kN. The material is inert to all but extremely strong solvents (concentrated sulphuric acid or concentrated phenol) at very high temperatures.
- Item (b) Test Results of Tensile Yield 1.15kN and Shear Yield 1.23kN mean that the Safe Working Load specified of 10kg ensures that the fastener meets the requirement of being firmly attached.
- Item (c) Same as (b). Item (d) Inert. Item (e) Non-abrasive, inert. Item (f) The wide nylon trap provides a secure fixing. Item (g) Same as (f). Item (h) Installation instruction.

Ezifix is in the process of developing with QAS (Mr. Gordon Walton), a new specific standard for the type of fasteners, which Ezifix produces.

The EZIFIX FASTENING SYSTEM has been evaluated and approved for use by the Brisbane City Council, Gold Coast City Council, Sydney Water (Reference contact Mr. Jim Scott) and the Plumbing Industry Board of Victoria (Reference contact Mr. John McBride).

All of these authorities allow the use of the system provided the contractor follows the manufacturer's directions for use.

Hamer Limited provides free on site training and issues Certificates to approved installers. This product support has extended the training and certification to more than 7000 users around Australia. These Certified Installers enjoy the Occupational Health and Safety benefits and better work practices of the system.

**EZI-FIX**

**EZI-FIX FASTENING SYSTEMS**

**NO DRILLING  
NOISE  
DUST  
MESS**

- 50MM THREADED FASTENER
- PIPE CLIP
- RE-USEABLE QUIK-ZIP-TIE
- SOCKET BASE
- 30MM CABLE SADDLE
- 50MM CABLE/PIPE SADDLE
- INSULATION SPIKE 50/100MM

Significant labour reduction  
Suitable for light cable tray  
Suitable for light pipework  
Signage Installation  
Silent Installation  
Safety first method  
Colour coded  
Install from floor level  
Eliminates all drilling

Hamer Limited



**Cable Care**  
EZIFIX



**A2**